

780 Air Adjusted Coupling

ORDERING INFORMATION

Coupling Only:
- 780

Standard Installation Kit:

- **780A:** 780 Coupling, 502 Bolt Kit, 281 Air Chamber, 767 Air Chamber Adapter Bracket, 271 Thimble

Optional Accessories:

- **Air Chamber 282 Type-30 (page 67):** Provides a larger diaphragm for greater shoe force compared to 281 Air Chamber.
- **Air Chamber Brackets (page 67):** 767H (3/4 in. / 19 mm)
- **Thimbles (page 67):** 271B (4 3/8 in. / 111 mm), 271C (5 1/2 in. / 140 mm)
- **Latch Gage 14026 (page 66):** To determine latch gap limit.

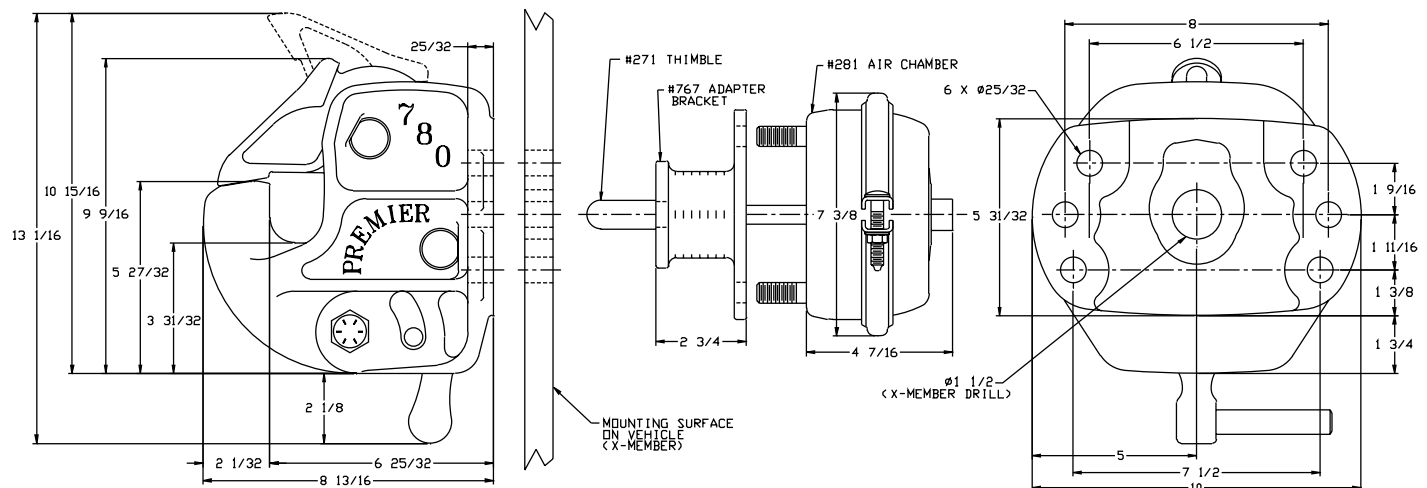


SPECIFICATIONS

Maximum Gross Trailer Weight:	90,000 lbs.	(40,823 kg)
Maximum Tongue Weight:	18,000 lbs.	(8,164 kg)
Ultimate Latch Capacity:	30,000 lbs.	(13,607 kg)
Maximum Eye X-Section:	1 13/16 in.	(46 mm)
Minimum Eye Opening:	2 3/8 in.	(60 mm)
Unit Weight:	46.5 lbs.	(21.1 kg)

An extremely strong latching system, low profile and enclosed latch components are what stand out about our 780. Hidden from snow, ice and road debris, the 780's latch components are reliable, secure and exceptionally strong. This coupling must be used with an air service chamber.

STANDARD INSTALLATION DRAWING



Pushrod length is 5 3/8 in. (137 mm) plus thickness of mounting structure for standard installations as illustrated.

REPLACEMENT PART INFORMATION

780RK Parts Kit Includes:

- | | |
|---------------|-------------------|
| 266: Spring | 781: Handle |
| *271: Thimble | 782: Latch |
| 274A: Locknut | 783: Lever |
| 279: Shoe | 784: Bolt |
| 382A: Spring | 784-1: Spacer |
| 384Z: Bolt | 785Z: Pin |
| 387: Locknut | 785Z-1: Snap Ring |
| 524: Washer | |
| 582A: Spring | |



*Not included in parts kit, available individually.

IMPORTANT GUIDELINES that apply to all Premier Air Adjusted Couplings

- Do not weld on any coupling assembly
- Always use Grade-8 fasteners properly torqued
- Do not apply lubricants to the coupling hook
- Air service chamber must be Type-24 or Type-30 with 90-120 PSI air supply
- Clean & inspect coupling for damage & excessive wear prior to each and every use
- Lubricate all coupling components at a minimum of 90 day intervals
- Do not bind-up (Jackknife) any application as stresses can cause damage to products or components, resulting in failure and detachment of the trailer while in use

