






700 Custom Jack



Model 700P-15-729

The Premier 700 Custom Jack has been engineered and built to the same stringent specifications as our 600 Jiffy Jack. Designed for long life with minimal maintenance, the 700 is easily adapted to nearly any application.

-  Quick action, spring-activated, folding handle that seats in a positive position for travel. This keeps the handle short, compact, and out of the way.
-  DOM tubing inner and outer tube provide a strong precision fit between tubes, reducing penetration of outside contaminants.
-  Tube support collar on outside tube for added strength.
-  Oil cup for convenient lubrication of main bearing and power screw.
-  Custom mounting options allow mounting plate to be factory welded anywhere on the outside tube, or shipped loose for customer installation.

Capacity: 5,000 lbs. (2,268 kg) operational, 10,000 lbs. (4,536 kg) static.
Refer to caster chart for caster limitations, page 63.

Models Available:

Model	Travel	Overall Height*	Weight (w/o caster)
700-15	15 in. (381 mm)	23 5/16 in. (592 mm)	38 lbs. (17.2 kg)
700P-15	15 in. (381 mm)	23 5/16 in. (592 mm)	30 lbs. (13.6 kg)

*(Retracted, Includes handle.)

Caster Options: See Caster Chart on page 63.

Optional Accessories:

688 Swivel Mount: Helps lift jack up and out of harms way when traveling (see below).

Shock Absorption Assembly: Reduces potential for jack damage when sudden drop-type loads are applied.

Swivel Mount Options



688 Swivel Mount

688, 688HD & 688US Swivel Mounts: Premier's Swivel Mounts help reduce the risk of jack damage by allowing the jack to swing up and out of harms way during vehicle travel.

688: May be ordered separately or in place of standard mounting plate on any Premier Jack. (Bolt hole centers: 3 3/8 in. (86 mm) x 5 1/4 in. (133 mm) x 17/32 in. (13 mm) I.D.)

688HD: Same general design as our 688 above, but in a heavy-duty version.

688US: This is our Universal version of the 688. The 688US easily adapts to existing jacks that already have the standard mounting plate installed.

IMPORTANT GUIDELINES that apply to all Premier Jacks

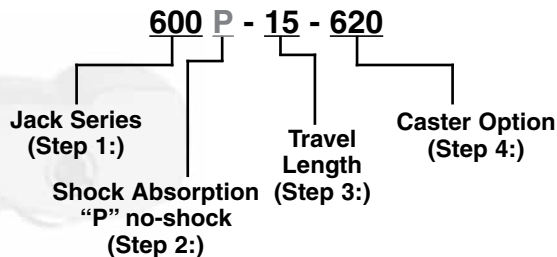
- Never operate jack on uneven ground or where there is a chance of the lifted load shifting
- Never place more of a load on jack or caster which is greater than the lowest rated capacity
- Lubricate jack and check jack and caster assembly for damage or worn components frequently
- Do not bind-up (Jackknife) any application as stresses can cause damage to products or components, resulting in failure and detachment of the trailer while in use



Jack Selection Guide

Determining and Ordering Your Premier Jack:

Following these four steps (shown at right), will assist you in constructing a jack part number. If you should have any questions regarding ordering or installing a Premier Jack, please call our knowledgeable sales staff for assistance.



Step 1: Determine The Jack Best Suited to Your Needs

Review the features of Premier's 600, 700 and 800 series jacks to determine which line best suits your application.



Step 2: Shock Absorption

Premier's 600 Jiffy Jack and 700 Standard Jack both offer an optional shock system that reduces the potential for jack damage due to sudden load drops. If this feature is **not** desired, indicate a "P" after the Jack model number. Indicate as follows:

- 600 - 15 - 620 to include this feature, or
- 600P - 15 - 620 to decline this feature.



Step 3: Specify Travel Length of Stroke

The 600 Series Jack offers various travel lengths. Determine your required travel length and indicate as follows:

- 600 - 15 - 620 for a 15 in. (381 mm) travel length jack (please indicate in inches).



Step 4: Select a Caster Suited to Your Needs

If a caster is desired, review the Caster Chart (page 63) to determine which caster fits your needs. Indicate as follows:

- 600 - 15 - 620 would be a 600 Jack with optional shock absorption and the model 620 steel caster rated at 1,200 lbs. (544.3 kg).



IMPORTANT GUIDELINES that apply to all Premier Jacks

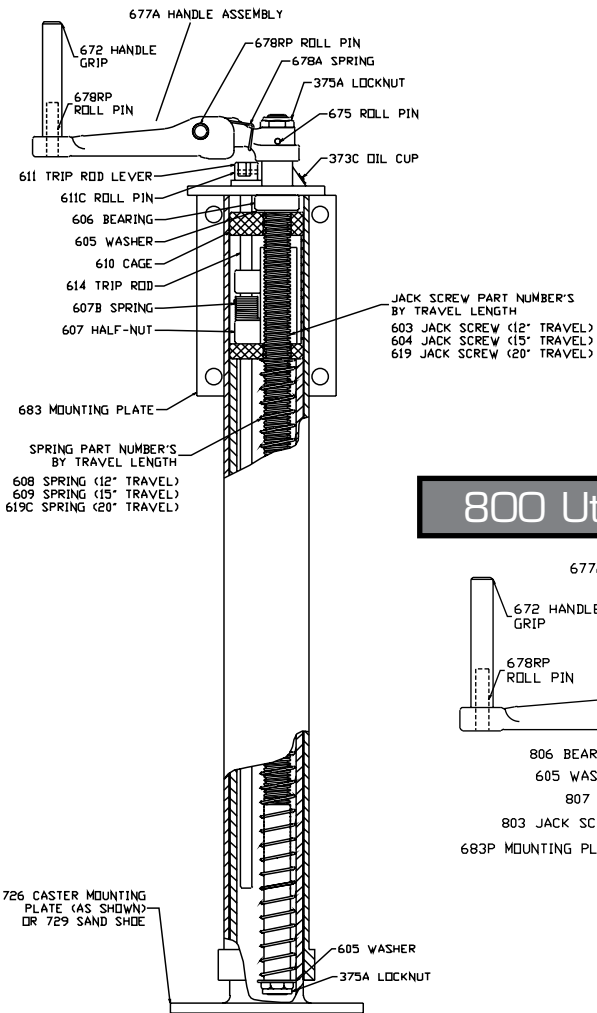
- Never operate jack on uneven ground or where there is a chance of the lifted load shifting
- Never place more of a load on jack or caster which is greater than the lowest rated capacity
- Lubricate jack and check jack and caster assembly for damage or worn components frequently
- Do not bind-up (Jackknife) any application as stresses can cause damage to products or components, resulting in failure and detachment of the trailer while in use



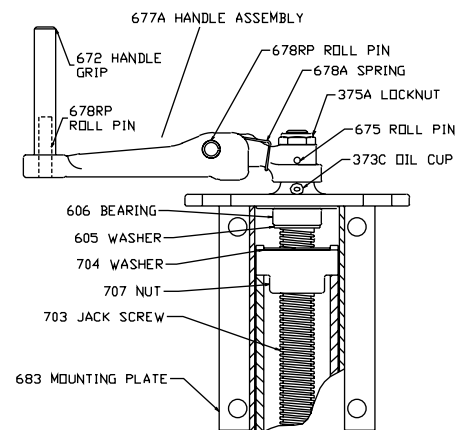
Dolly and Multi-Use Jacks

The Jack Replacement Parts illustrated should accommodate most repair requirements. Complete inner and outer tube assemblies are also available. Contact Premier for more information.

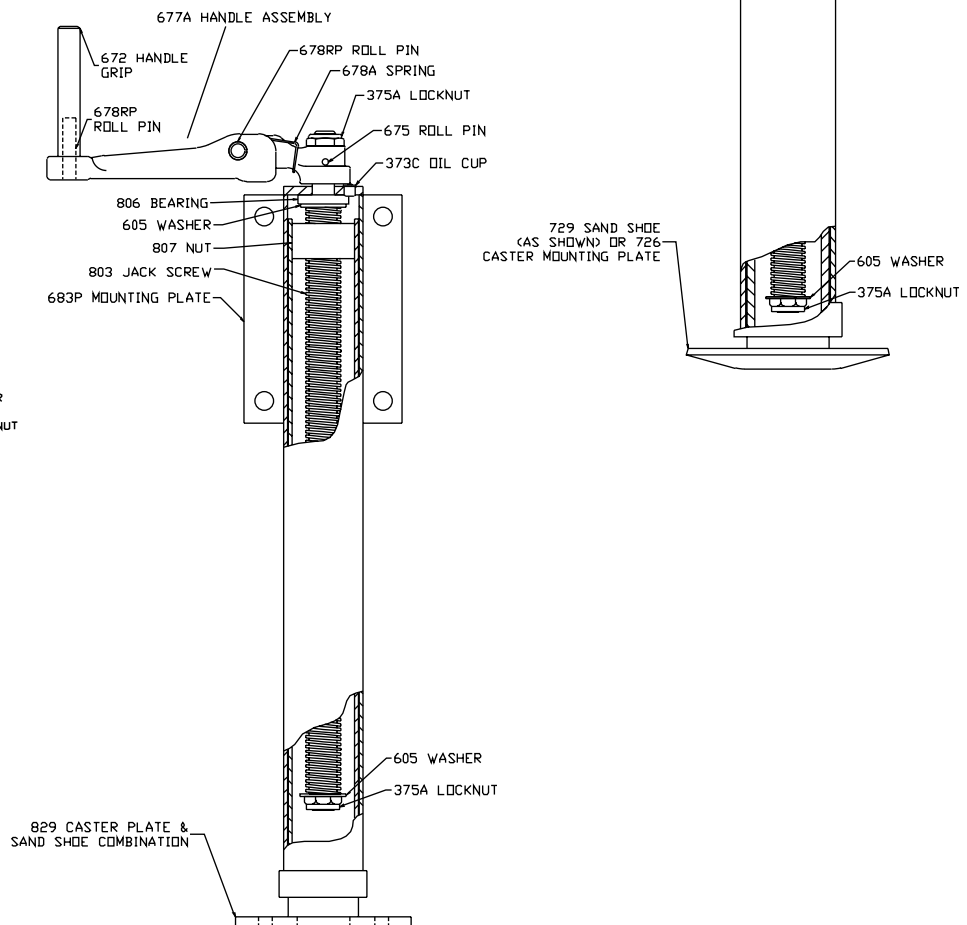
600 Jiffy Jack Parts



700 Custom Jack Parts



800 Utility Jack Parts



IMPORTANT GUIDELINES that apply to all Premier Jacks

- Never operate jack on uneven ground or where there is a chance of the lifted load shifting
- Never place more of a load on jack or caster which is greater than the lowest rated capacity
- Lubricate jack and check jack and caster assembly for damage or worn components frequently
- Do not bind-up (Jackknife) any application as stresses can cause damage to products or components, resulting in failure and detachment of the trailer while in use

