

# Front End Assemblies

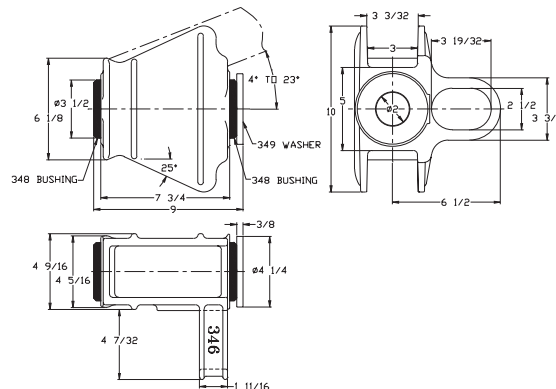
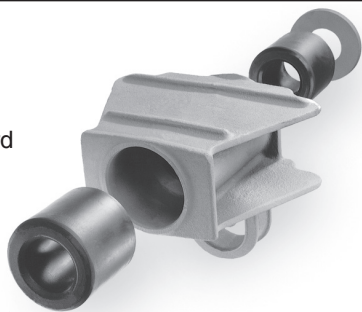
## 340S/340SA Front End Assembly

Accepts 3 in. (76 mm) standard channel or square tubing.

**Parts Included:**

- 346 Housing
- 349 Washer
- 348 or \*348A Bushings

\*340SA comes with 348A Poly Bushings



### SPECIFICATIONS

**Bushing Replacement:** 348 (Rubber) or 348A (Poly)  
**Designed For Use With:** 207S, 307S, 405S or 410S Swivel Drawbar Eyes Only

**Inside Diameter:** 2 in. (51 mm)  
**Outside Diameter:** 3 1/2 in. (89 mm)  
**Length:** 3 1/2 in. (89 mm)  
**Unit Weight:** 26.3 lbs. (11.9 kg)

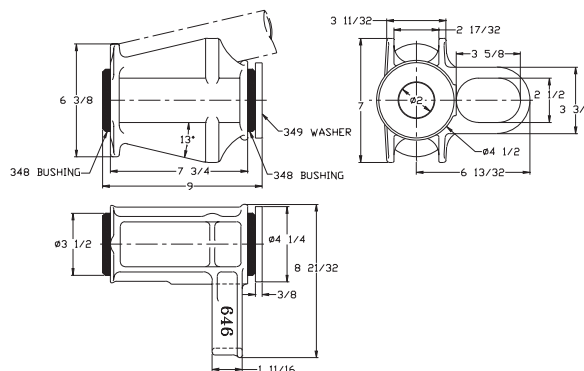
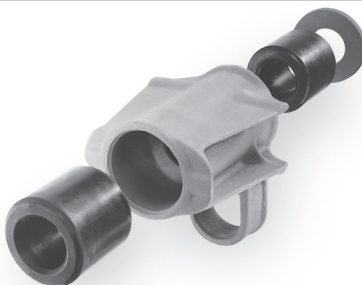
## 640S/640SA Front End Assembly

Accepts 2 1/2 in. (64 mm) round tubing.

**Parts Included:**

- 646 Housing
- 349 Washer
- 348 or \*348A Bushings

\*640SA comes with 348A Poly Bushings



### SPECIFICATIONS

**Bushing Replacement:** 348 (Rubber) or 348A (Poly)  
**Designed For Use With:** 207S, 307S, 405S or 410S Swivel Drawbar Eyes Only

**Inside Diameter:** 2 in. (51 mm)  
**Outside Diameter:** 3 1/2 in. (89 mm)  
**Length:** 3 1/2 in. (89 mm)  
**Unit Weight:** 18.7 lbs. (8.5 kg)

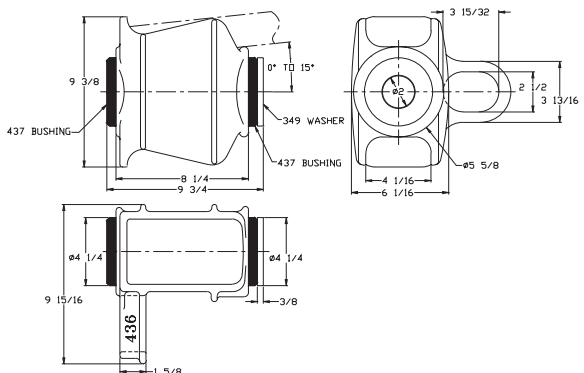
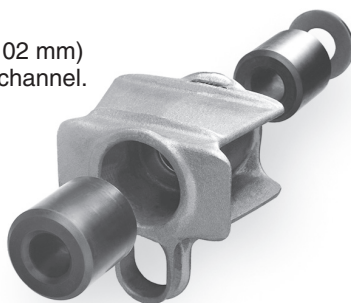
## 435/435A Front End Assembly

Accepts 2 in. x 4 in. (51 mm x 102 mm) rectangular tubing or standard channel.

**Parts Included:**

- 436 Housing
- 349 Washer
- 437 or \*437A Bushings

\*435A comes with 437A Poly Bushings



### SPECIFICATIONS

**Bushing Replacement:** 437 (Rubber) or 437A (Poly)  
**Designed For Use With:** 207S, 307S, 405S or 410S Swivel Drawbar Eyes Only

**Inside Diameter:** 2 in. (51 mm)  
**Outside Diameter:** 4 1/4 in. (108 mm)  
**Length:** 4 1/2 in. (114 mm)  
**Unit Weight:** 36.7 lbs. (16.6 kg)

### IMPORTANT GUIDELINES that apply to all Premier Front End Assemblies

- Never attempt weld repair of damaged or worn drawbar eyes or front end assemblies
- Clean and inspect drawbar eyes and eye assemblies for damage or excessive wear before each and every use
- All welds should be performed by a certified welder skilled in structural welding practices
- Drawbar structure as well as welds attaching front end assembly to drawbar must be of sufficient strength to withstand the load rating of the drawbar eye
- Do not bind-up (Jackknife) any application as stresses can cause damage to products or components, resulting in failure and detachment of the trailer while in use