

Accessories

150 Coupling Balls

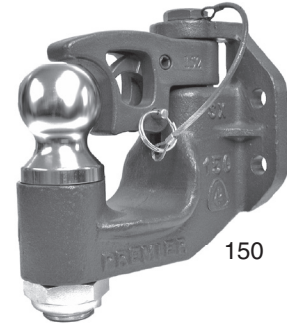


Coupling Balls designed exclusively to fit Premier's 150 Coupling (see page 34).

SPECIFICATIONS

| Product # | Ball Diameter | Maximum G.T.W. |
|-----------|--------------------|------------------------|
| 155 Ball | 2 in. (51 mm) | 10,000 lbs. (4,535 kg) |
| 156 Ball | 2 5/16 in. (59 mm) | 10,000 lbs. (4,535 kg) |
| 158 Ball | 1 7/8 in. (48 mm) | 2,500 lbs. (1,133 kg) |

All sizes have 1 1/4 in. diameter shaft and come standard with a 1 1/4 in. nylon locknut (157).

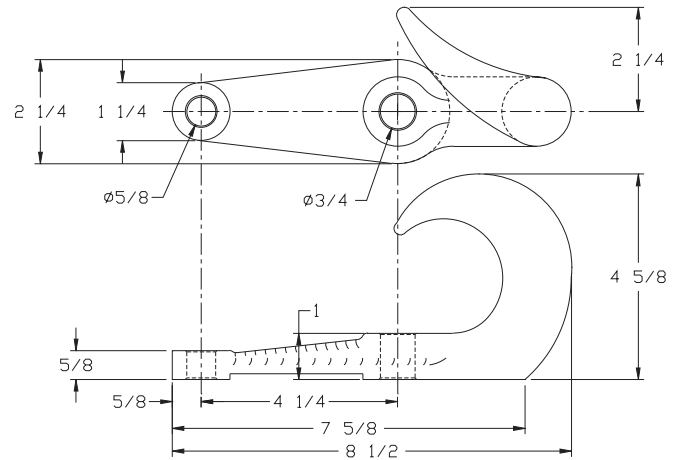


12L / 12R Tow Hooks



Premier's 12L and 12R tow hooks have been around for many years. Made of high strength cast steel, these hooks are not only tough but easy to install.

Capacity of each hook is 25,000 lbs. (11,339 kg).



IMPORTANT GUIDELINES that apply to all Premier Hitch Balls and Tow Hooks

- Only Grade-8 fasteners properly torqued should be used to attach tow hooks
- Never attempt weld repair of damaged or defective hitch balls or tow hooks
- Always check parts for proper operation prior to placing in service
- Clean and inspect accessories for damage or excessive wear before each and every use
- Do not bind-up (Jackknife) any application as stresses can cause damage to products or components, resulting in failure and detachment of the trailer while in use