

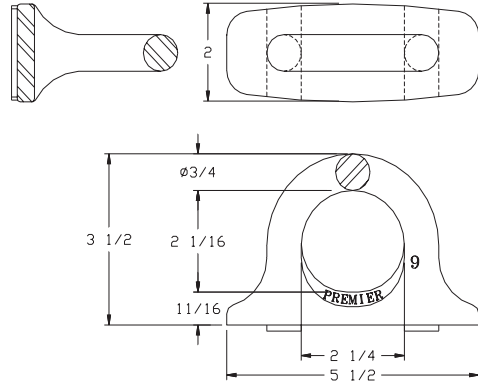
Accessories

Premier's Safety Chain Hangers are what much of the trucking, utility, and construction industry have been requesting for many years. A strong, reliable, and easy to install hanger system. Available in two sizes and styles.

9 Safety Chain Hanger



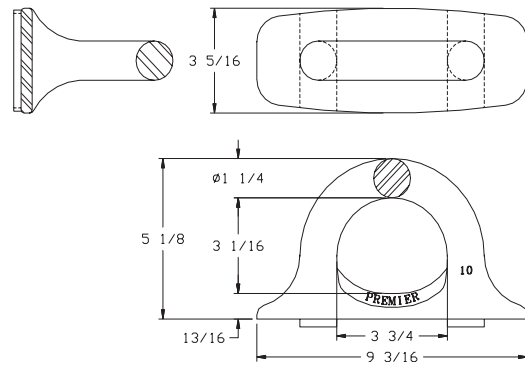
MGTW:
30,000 lbs. (13,607 kg)
Weight:
2.4 lbs. (1.09 kg)



10 Safety Chain Hanger



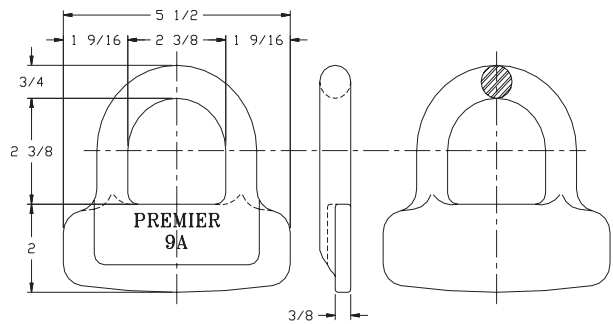
MGTW:
90,000 lbs. (40,823 kg)
Weight:
9.7 lbs. (4.4 kg)



9A Safety Chain Hanger



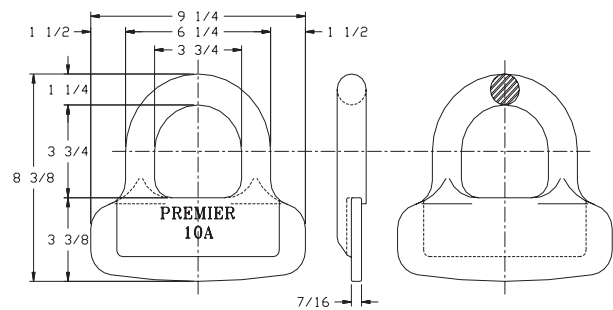
MGTW:
30,000 lbs. (13,607 kg)
Weight:
2.2 lbs. (1.0 kg)



10A Safety Chain Hanger



MGTW:
90,000 lbs. (40,823 kg)
Weight:
9.0 lbs. (4.08 kg)



IMPORTANT GUIDELINES that apply to all Premier Safety Chain Hangers

- Hangers are to be attached by welding only
- Never attempt weld repair of damaged or defective chain hangers
- Welding should only be performed by a certified welder skilled in structural welding practices
- Always check parts for proper operation prior to placing in service
- Clean and inspect accessories for damage or excessive wear before each and every use
- Do not bind-up (Jackknife) any application as stresses can cause damage to products or components, resulting in failure and detachment of the trailer while in use