

2300 Air Adjusted Coupling

ORDERING INFORMATION

Coupling Only:

- 2300

Standard Installation Kit:

- **2300A:** 2300 Coupling, 502 Bolt Kit, 281 Air Chamber, 467 Air Chamber Adapter Bracket, 271 Thimble

Optional Accessories:

- **Air Chamber 282 Type-30 (page 67):** Provides a larger diaphragm for greater shoe force compared to 281 Air Chamber.
- **Air Chamber Brackets (page 67):** 467H (3/4 in. / 19 mm), 467F (5 1/2 in. / 140 mm)
- **Thimbles (page 67):** 271B (4 3/8 in. / 111 mm), 271C (5 1/2 in. / 140 mm)
- **Drawbar Guides 378 (page 66):** Helps guide drawbar eye into coupling.
- **Wear Gage 14014 (page 66):** To determine hook wear limits.
- **Latch Gage 14026 (page 66):** To determine latch gap limit.

OPERATION WITH
OR WITHOUT AIR
SERVICE CHAMBER

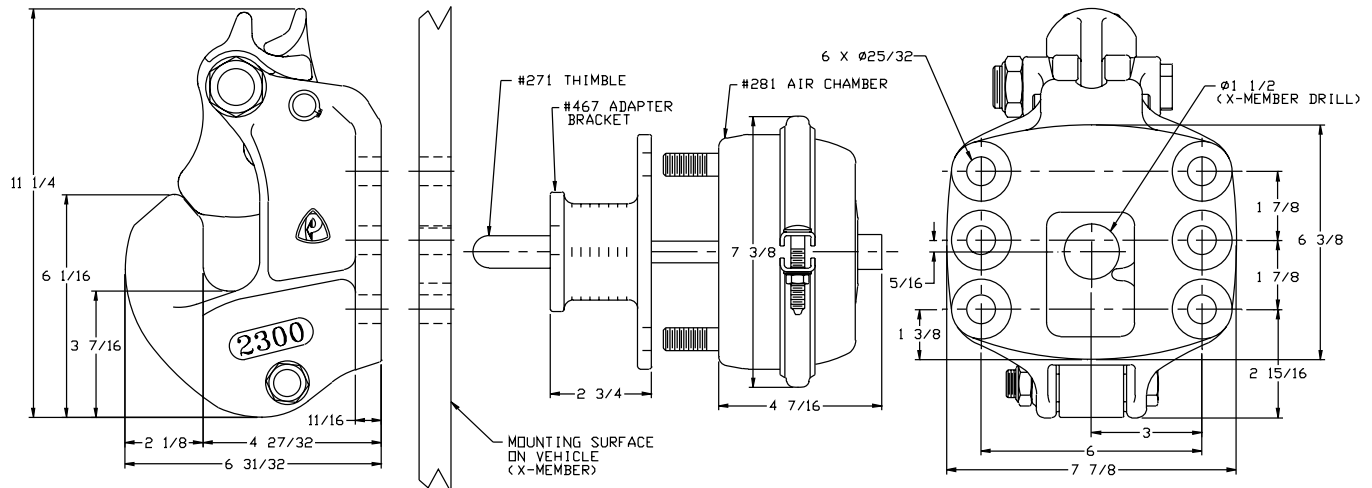


SPECIFICATIONS

Maximum Gross Trailer Weight:	100,000 lbs.	(45,359 kg)
Maximum Tongue Weight:	20,000 lbs.	(9,071 kg)
Ultimate Latch Capacity:	60,000 lbs.	(27,215 kg)
Maximum Eye X-Section:	1 13/16 in.	(46 mm)
Minimum Eye Opening:	2 3/8 in.	(60 mm)
Unit Weight:	31.0 lbs.	(14.1 kg)

Popular with tanker fleet customers, the 2300 can be used throughout the industry. Like our 2200, the 2300 is also made from Premalloy for long life. As with all 2000 series couplings, the 2300 offers unsurpassed latch strength and can be operated with or without an air service chamber.

STANDARD INSTALLATION DRAWING

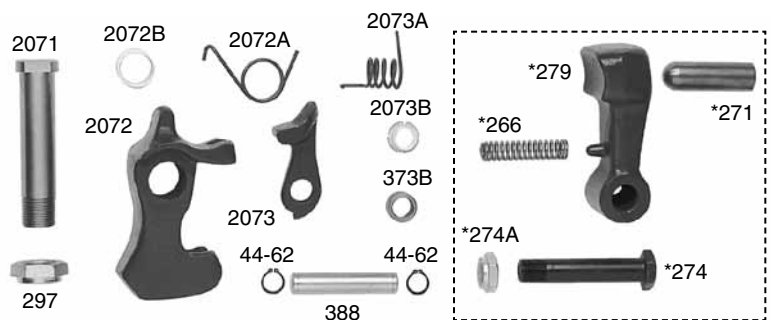


Pushrod length is 3 5/8 in. (92 mm) plus thickness of mounting structure for standard installations as illustrated.

REPLACEMENT PART INFORMATION

2000PK Parts Kit Includes:

44-62: Snap Ring (2)	2073A: Spring
297: Locknut	2073B: Bushing
373B: Spacer	*266: Spring
388: Pin	*271: Thimble
2071: Bolt	*274: Bolt
2072: Latch	*274A: Locknut
2072A: Spring	*279: Shoe
2072B: Bushing	
2073: Latch Lock	



*Not included in parts kit, available individually.

IMPORTANT GUIDELINES that apply to all Premier Air Adjusted Couplings

- Do not weld on any coupling assembly
- Always use Grade-8 fasteners properly torqued
- Do not apply lubricants to the coupling hook
- Air service chamber must be Type-24 or Type-30 with 90-120 PSI air supply
- Clean & inspect coupling for damage & excessive wear prior to each and every use
- Lubricate all coupling components at a minimum of 90 day intervals
- Do not bind-up (Jackknife) any application as stresses can cause damage to products or components, resulting in failure and detachment of the trailer while in use



PREMIER MANUFACTURING COMPANY

1-800-255-5387 • www.premier-mfg.com