

# 2300 Slack Reducing Coupling



OPERATION WITH OR  
WITHOUT AIR SERVICE  
CHAMBER

NEW OPTION  
**EL**  
Extended  
Life

Popular with tanker fleet customers, the 2300 can be used throughout the industry. Like our 2200, the 2300 is also made from Premalloy for long life. As with all 2000 series couplings, the 2300 offers unsurpassed latch strength and can be operated with or without an air service chamber.

## ORDERING INFORMATION

### Coupling Only:

- **2300 & 271 Thimble**
  - **2300EL:** 2300 with Extended Life latch direct-inject latch lubrication ports
- ### Standard Installation Kit:
- **2300A:** 2300 Coupling, 502 Bolt Kit, 281 Air Chamber, 467 Air Chamber Adapter Bracket, 271 Thimble
  - **2300ELA:** 2300EL Coupling, 502 Bolt Kit, 281 Air Chamber, 467 Air Chamber Adapter Bracket, 271 Thimble

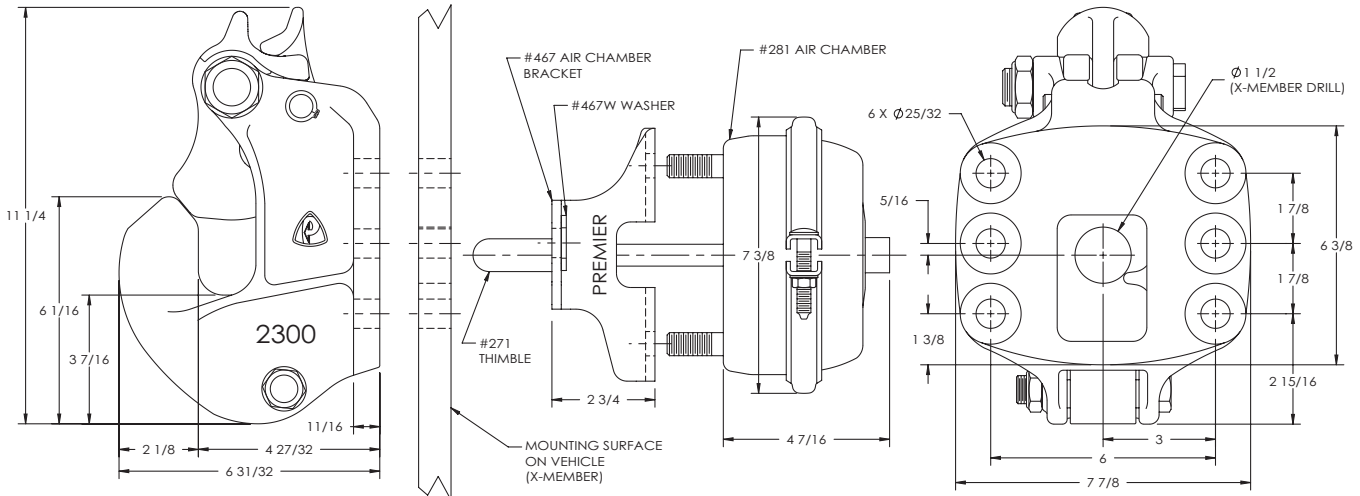
### Optional Accessories:

- **Air Chamber 282 Type-30 (page 76):** Provides a larger diaphragm for greater shoe force compared to 281 Air Chamber
- **Air Chamber Brackets (page 76):** 467H (3/4 in. / 19 mm), 467F (5 1/2 in. / 140 mm)
- **Thimbles (page 76):** 271B (4 3/8 in. / 111 mm), 271C (5 1/2 in. / 140 mm)
- **Drawbar Guides 378 (page 75):** Helps guide drawbar eye into coupling
- **Wear Gage 14014 (page 75):** To determine hook wear limits
- **Latch Gage 14026 (page 75):** To determine latch gap limit
- **Bolt Kit 502 (page 77):** Bolts (4) 2 1/2 in. (2) 2 3/4 in., Locknuts (6)

## SPECIFICATIONS

<b>Maximum Gross Trailer Weight:</b>	100,000 lbs.	(45,359 kg)
<b>Maximum Tongue Weight:</b>	20,000 lbs.	(9,071 kg)
<b>Ultimate Latch Capacity:</b>	60,000 lbs.	(27,215 kg)
<b>Maximum Eye X-Section:</b>	1 13/16 in.	(46 mm)
<b>Minimum Eye Opening:</b>	2 3/8 in.	(60 mm)
<b>Unit Weight:</b>	30.3 lbs.	(13.7 kg)

## STANDARD INSTALLATION DRAWING

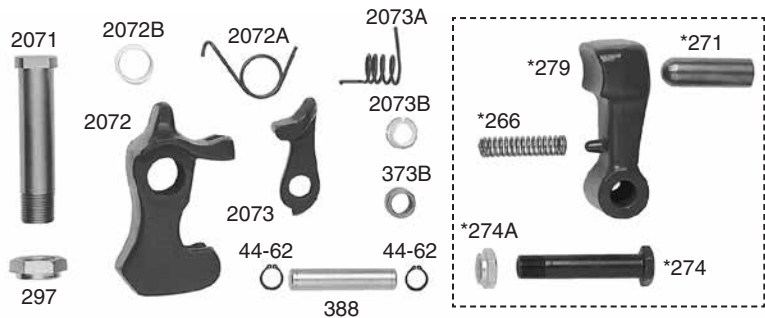


Pushrod length is 3 5/8 in. (92 mm) plus thickness of mounting structure for standard installations as illustrated.

## REPLACEMENT PART INFORMATION

### 2000PK Parts Kit Includes:

- |                      |                |
|----------------------|----------------|
| 44-62: Snap Ring (2) | 2073A: Spring  |
| 297: Locknut         | 2073B: Bushing |
| 373B: Spacer         | *266: Spring   |
| 388: Pin             | *271: Thimble  |
| 2071: Bolt           | *274: Bolt     |
| 2072: Latch          | *274A: Locknut |
| 2072A: Spring        | *279: Shoe     |
| 2072B: Bushing       |                |
| 2073: Latch Lock     |                |



\*Not included in 2000PK Parts Kit, available as 279PK Parts Kit.

## IMPORTANT GUIDELINES that apply to all Premier Slack Reducing Couplings

- Do not weld on any coupling assembly
- Always use Grade-8 fasteners properly torqued
- Do not apply lubricants to the coupling hook
- Air service chamber must be Type-24 or Type-30 with 90-120 PSI air supply
- Clean & inspect coupling for damage & excessive wear prior to each and every use
- Lubricate all coupling components at a minimum of 90 day intervals
- Do not bind-up (Jackknife) any application as stresses can cause damage to products or components, resulting in failure and detachment of the trailer while in use

