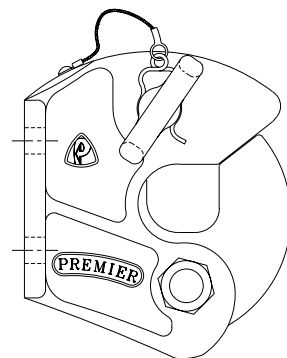




PREMIER

THE FIRST NAME IN QUALITY COUPLINGS



690L / 690R SERVICE GUIDELINES

! WARNING !

All 294 bolts are considered a serviceable part & cannot surpass 1-year of use. After 1-year of vehicle installation, it is considered out-of-service and no longer usable.

294 Bolt Service Life Instructions

The following applies to all Premier Model 690 couplings (690L, 690R, 690T)

For new 690 coupling or new/replaced 294 bolt:
Record the date of installation.

6-months after installation date:

Remove & inspect entire 294 bolt and look for fractures along entire length of bolt (preferably using dye penetrant or mag particle testing).

- If 294 bolt looks good: Re-install & continue to use for another 6-months.
- If fractured DO NOT USE: Contact Premier Mfg Co.

1-year after installation date (regardless of service duty):
Remove & replace with new 294 bolt.

WARNING: If, at any time, the 690 Coupling is bound-up (jackknifed), then the 294 Bolt MUST be replaced immediately! Until replacement, the 690 Coupling is not to be used. Furthermore, carefully inspect the 690 Coupling; drawbar; drawbar eye; front end assembly; and tail board for damage.

NOTE: Prior to disassembly, measure the wear area on the pintle horn. If the wear is at or exceeds 20% of the cross section, the coupling is to be considered Out of Service. At a minimum, the 692 Hook and 294 Bolt would need to be replaced prior to the coupling being placed back into service.

DISASSEMBLY:

- 1) Prior to disassembly, familiarize yourself with the location of the various parts in the 690 Coupling. This will assist in the assembly process.
- 2) Disassemble coupling, removing all parts from body. Clean and inspect parts and body for wear and/or damage. If wear exists or damage is noted, replace affected part.
NEVER ATTEMPT WELD REPAIR OF ANY DAMAGED OR WORN COMPONENT.

- 3) Measure the four 690 body holes for wear. The upper (691 Handle) body holes should not exceed 1.300 in diameter. The lower (294 Bolt) body holes should not exceed 1.156 in diameter. If any measurement is exceeded, the coupling body is to be considered out-of-service and must be replaced.

ASSEMBLY:

- 3) All body holes, part holes and pins need to be lubricated with a heavy grease when the parts are reassembled.
- 4) Lay body of casting on its face, mounting surface up and nose pointing toward you.
- 5) Place 695 Spring alongside 693 Pawl (one leg nests in groove on side of pawl). With 695 Spring to the right, install the 693 Pawl and spring through the bottom of the body. Make sure that the leg of the 695 Spring nests in groove inside body.
- 6) Install 691 Handle, locating tapers on pin portion with tapers inside 693 Pawl. Slide 691C Bushing over threaded end of 691 Handle and into body (for 690R the 691CR clip groove must be furthest from body) and secure entire assembly with the 387 Nut.
- 7) Install 266 Spring. Nest one end of 266 Spring in the recessed pocket of 693L or 693R Pawl, and the other end in the recessed pocket of the coupling body.
- 8) While holding the spring in position, rotate 691 Handle clockwise (counter-clockwise for 690R) to the open position and engage lug 693 Pawl with lug on internal body sidewall (right side). This will hold the handle in the open position. Turn entire body over and place on mounting base (nose pointing away from you).
- 9) Position 692 Pintle Hook into body and install 294 Bolt, from right to left, securing the 692 Pintle Hook in position.
- 10) Align one of the flats on the 294 Bolt head with the raised stop on the coupling body. Make certain the bolt head is flush with the coupling body. It's possible the hole will need to be minorly chamfered, or the bolt stop ground or filed for the 294 Bolt head to sit completely flush.
- 11) Remove any grease on the threads of the 294 Bolt prior to installing 297 Locknut. Torque the 297 Locknut to 50 ft-lbs (Do not exceed 50 ft-lbs of torque).
- 12) Coupling is now assembled and should be opened and closed several times, testing for smooth and correct operation. Do not use the coupling if it does not close properly.

(Instructions continued on next page)



13) Lubricate latch assembly where appropriate (DO NOT LUBRICATE PINTLE HOOK WEAR SURFACE).

WARNING: Do NOT bind-up (jackknife) any application, as stresses can cause damage to the 294 bolt, hitch, drawbar eye, other components or any combination of them. Jackknifing may result in failure of products or components, resulting in detachment of the trailer while in use.

ATTENTION !

End Users must read and follow this information.

DISTRIBUTORS & OEM'S: Please ensure that your customers are made aware of the following information on this page.

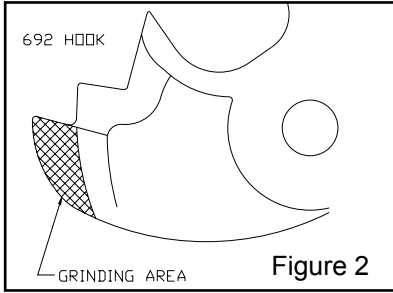
- | | |
|--|---|
| <p>(1) VERIFY THAT BOTH COUPLING'S AND DRAWBAR EYE'S RATED CAPACITIES MEET YOUR APPLICATION(S) REQUIREMENTS.</p> <p>(2) DO NOT OVERLOAD COUPLING OR DRAWBAR EYE.</p> <p>(3) INSPECT COUPLING, LATCH AND DRAWBAR EYE FOR CRACKS, BENDING DAMAGE OR EXCESSIVE WEAR. DO NOT USE IF ANY OF THESE CONDITIONS EXIST!</p> <p>(4) CHECK FOR GAP BETWEEN CLOSED LATCH AND TOP OF HORN OR COUPLING BALL. DO NOT USE IF GAP IS 3/8 IN. OR MORE.</p> <p>(5) MAKE SURE COUPLING IS LATCHED AND THAT LATCH WILL NOT OPEN.</p> <p>(6) PRIOR TO USE, ALWAYS CONNECT SAFETY CHAINS OF ADEQUATE STRENGTH FOR LOAD(S) BEING TOWED.</p> <p>(7) DO NOT BIND-UP (JACKKNIFE) ANY APPLICATION AS STRESSES CAN CAUSE DAMAGE TO THE COUPLING, DRAWBAR EYE, OTHER COMPONENTS OR ANY COMBINATION OF THEM. JACKKNIFING MAY RESULT IN FAILURE OF PRODUCTS OR COMPONENTS, RESULTING IN DETACHMENT OF THE TRAILER WHILE IN USE.</p> | <p>(8) DO NOT APPLY LUBRICANTS TO THE COUPLING HOOK OR DRAWBAR EYE LOOP, AS THEY CAN COVER UP POSSIBLE DAMAGE AND ACCELERATE WEAR.</p> <p>(9) ALWAYS ABIDE BY ALL APPLICABLE STATE AND FEDERAL REGULATIONS GOVERNING SAFE AND PROPER TRANSPORTATION.</p> <p>(10) NEVER STRIKE ANY OF THESE COMPONENTS WITH A HAMMER OR ANY OTHER DEVICE.</p> <p>(11) ALWAYS VERIFY PROPER OPERATION OF LATCHING SYSTEM AND COUPLING COMPONENTS PRIOR TO DRIVE OFF.</p> <p>(12) NEVER USE A COUPLING THAT YOU DO NOT FULLY UNDERSTAND HOW TO PROPERLY OPERATE AND VERIFY SECURE LATCHING OF.</p> <p>(13) NEVER REPLACE ANY PART IN ANY OF PREMIER'S ASSEMBLIES WITH NON-PREMIER COMPONENTS. DOING SO WILL VOID ALL WARRANTY AND POTENTIALLY COMPROMISE THE UNIT'S INTEGRITY, WHICH COULD RESULT IN PROPERTY DAMAGE, SERIOUS INJURY, OR DEATH.</p> |
|--|---|



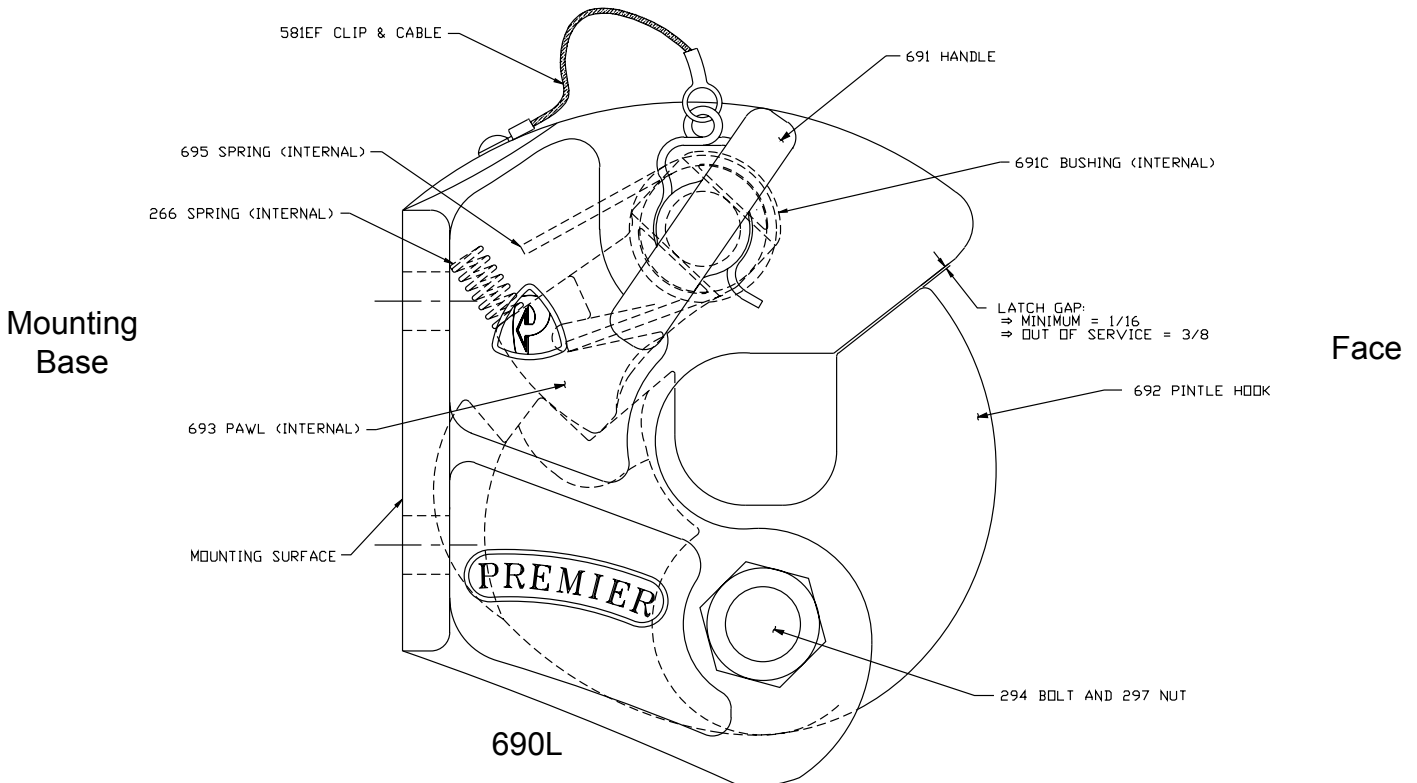
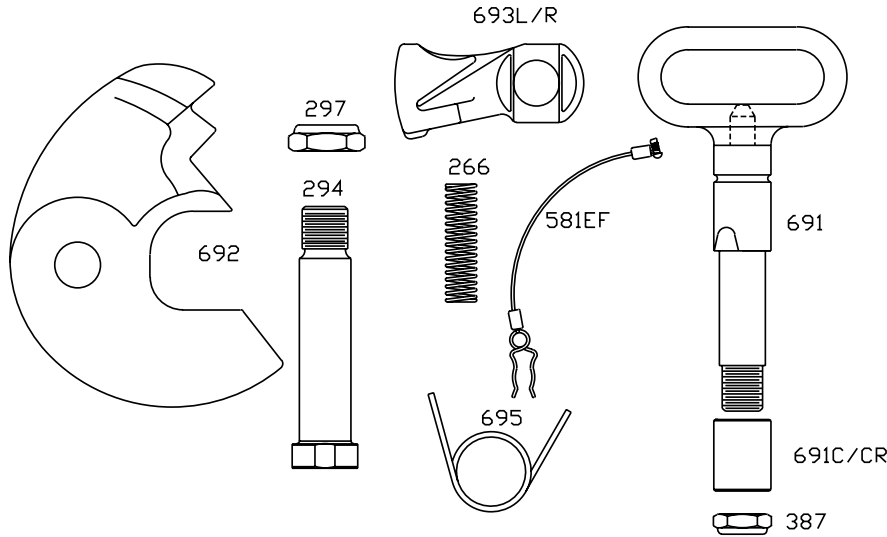
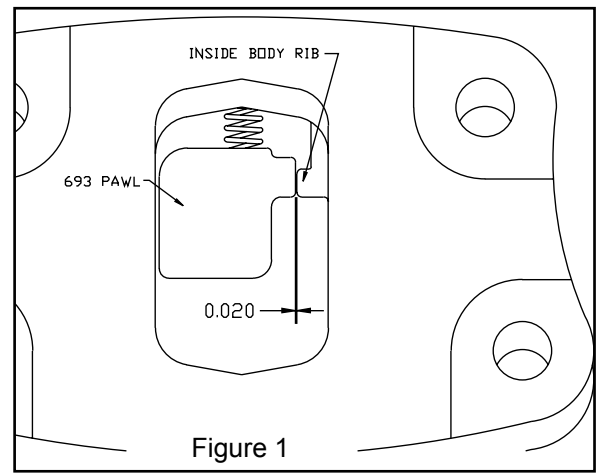
PROPER OPERATION:

► **NOTE:** The following is for installation of new components.

► When coupling is placed in opened position, there should exist a clearance of at least .020" between the 693 Pawl and the inside wall of coupling body. (Figure 1)



► When coupling is placed in opened position, the 692 Hook may not fully rotate forward. If this occurs, the 692 Hook may need **light** grinding for proper fit and operation. (Figure 2)



WARNING!

Important Installation Instructions:

Do NOT attempt install without first reading all attached instructions.

Installation must be performed by a qualified mechanic only.

Model 690L/690R Service Guidelines
Revised 04/01/09

WARRANTY: We warrant all Premier products to be free from defects in material or workmanship for one year. We will repair or replace, at our option, any Premier product which our examination reveals to be defective, provided that the product is returned to our factory, at Tualatin, Oregon transportation prepaid, within one year of purchase by the first retail purchaser. Our warranty does not extend to products which have been subject to misuse, neglect, improper installation, maintenance or application, nor does our warranty extend to products which have been repaired or altered outside of Premier's facility unless the repair or alteration has been expressly authorized in writing by Premier. ***This warranty is in lieu of all other warranties, express or implied, and excludes warranties of merchantability, fitness for a particular purpose and otherwise, and in no event will Premier be liable for incidental, special, contingent or consequential damages.***

DISCLAIMER: Although great care has been taken to ensure accurate information throughout this catalog, Premier Manufacturing Company must reserve the right to alter any information contained within. These changes include but are not limited to: Dimensional changes, in load capacity and availability of any part or assembly.

© 2009 Premier Manufacturing Company

All rights reserved. Any reproduction of the photographic images or any other portion of this catalog, including but not limited to the photocopying, or retention and/or storage in a retrieval system of any kind, is strictly prohibited without prior express written permission from Premier Manufacturing Company.

